

# Multimedia Controller Switcher

Programmable Integrated Projector Controller Switcher



Model: **AVS-311 (BCN)**

# User Operation Guide

## PRODUCT DESCRIPTION

The **ABtUS AVS-311** Media Control Panel is one of the most user friendly and installer friendly Pre-Programmable Controller specifically designed for a easy and central control of any AV projection system. It removes the need for over-complicated and multiple remote control handsets.

## PRODUCT HIGHLIGHTS

- Programmable projector protocol
- Simple to used with one to one function controlled button with LED indication
- Works well with any monitors, projectors and Interactive White Board
- Supports 3 VGA input with resolutions from VGA to SXGA
- Easy Installation with standard 2.45mm connector and cabling
- Fully self contained / integrated Projector Controller with AV switcher and USB in
- With 2 USB Input Connections ( 1 x USB Type A and 1 x USB Type B)

## TURNING ON AND BASIC OPERATION CONTROL

### 3. PC-1 Button

Used to select Projector Input to "PC" Input and its inter VGA switcher and audio switcher to PC-1 (Laptop) accordingly. The LED will blink once and stay ON

### 4. PC-2 Button

Used to select Projector to "PC" Input and its inter VGA switcher and audio switcher to PC-2 (Desktop) accordingly. The LED will blink once and stay ON

### 5. PC-3 Button

Used to select Projector Input to "PC" Input and its inter VGA switcher PC-3 (Document Camera) accordingly. The LED will blink once and stay ON

### 6. AV Input

Used to select Projector Input to "AV" Input and its inter Audio switcher to Video-Audio accordingly. The LED will blink once and stay ON

### 2. POWER ON Button

Used to TURN ON projector power, LED will blink and stay ON after The "Warm Up Time". Stated that the projector is now READY! Switcher will auto set input to its default selection i.e. "PC-2"

### 1. POWER OFF Button

Used to TURN OFF projector power, LED will blink and stay ON after The "Cool Down Time". Stated that the Projector is now READY!

### 7. Wireless Button

Used to select Projector to "Wireless/Network" Input and its inter audio switcher to Network accordingly. The LED will blink once and stay ON

### 8. Pic Mute Button

Used to select Projector to "Pic blank" ON/OFF and its inter audio switcher to mute accordingly. The LED will blink once and stay ON

### 15. Audio Video Input

Audio Video Input port for DVD or VRC connection

### 14. PC-1 Input

VGA Input port with PC-Audio for Laptop connection

### 13. PC-2 Input

VGA Input port with PC-Audio for Desktop connection

### 12. Mic Input

For both 6.3mm and 3.5mm Microphone Input connection

### 9. Main Volume Control

Tuning Up and Down of the main Volume level

### 10. Mic Gain Control

Tuning Up and Down of the Mic Gain level

### 11. PC-3 Input

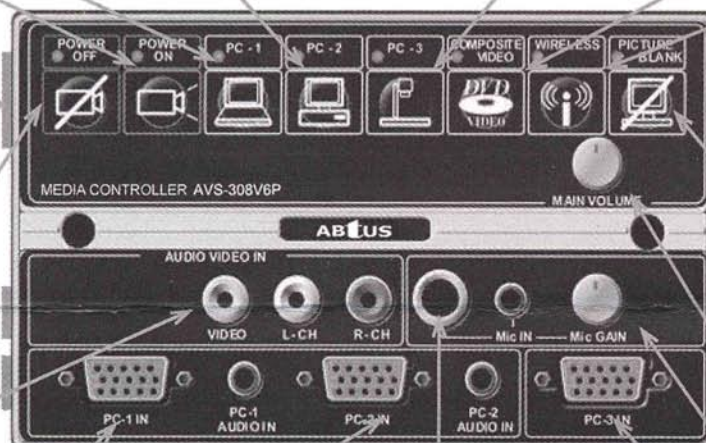
VGA Input port for Document camera connection

### 16. Monitor Out

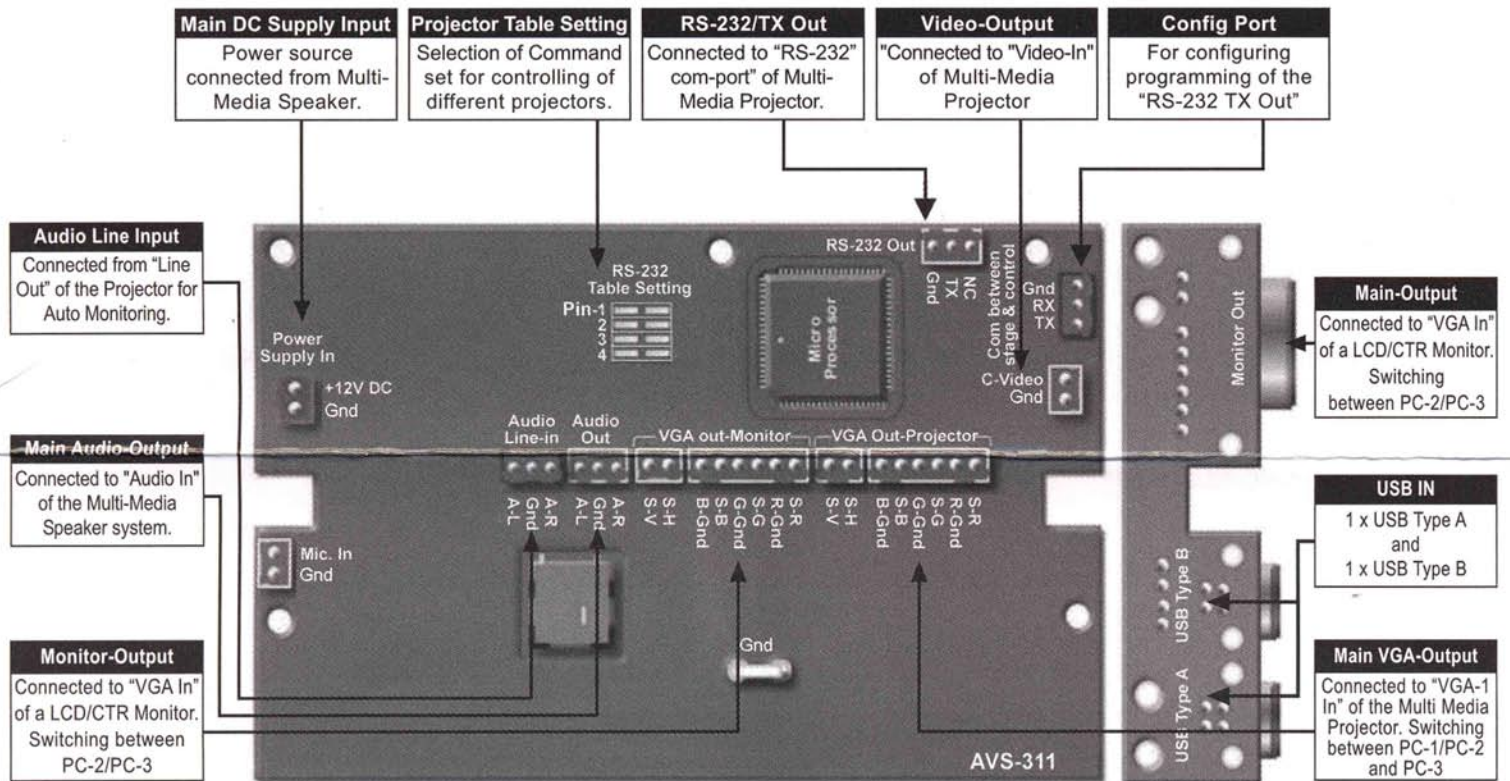
Connected to local LCD Monitor. Monitoring input PC2 & PC3 only

### 17. USB IN

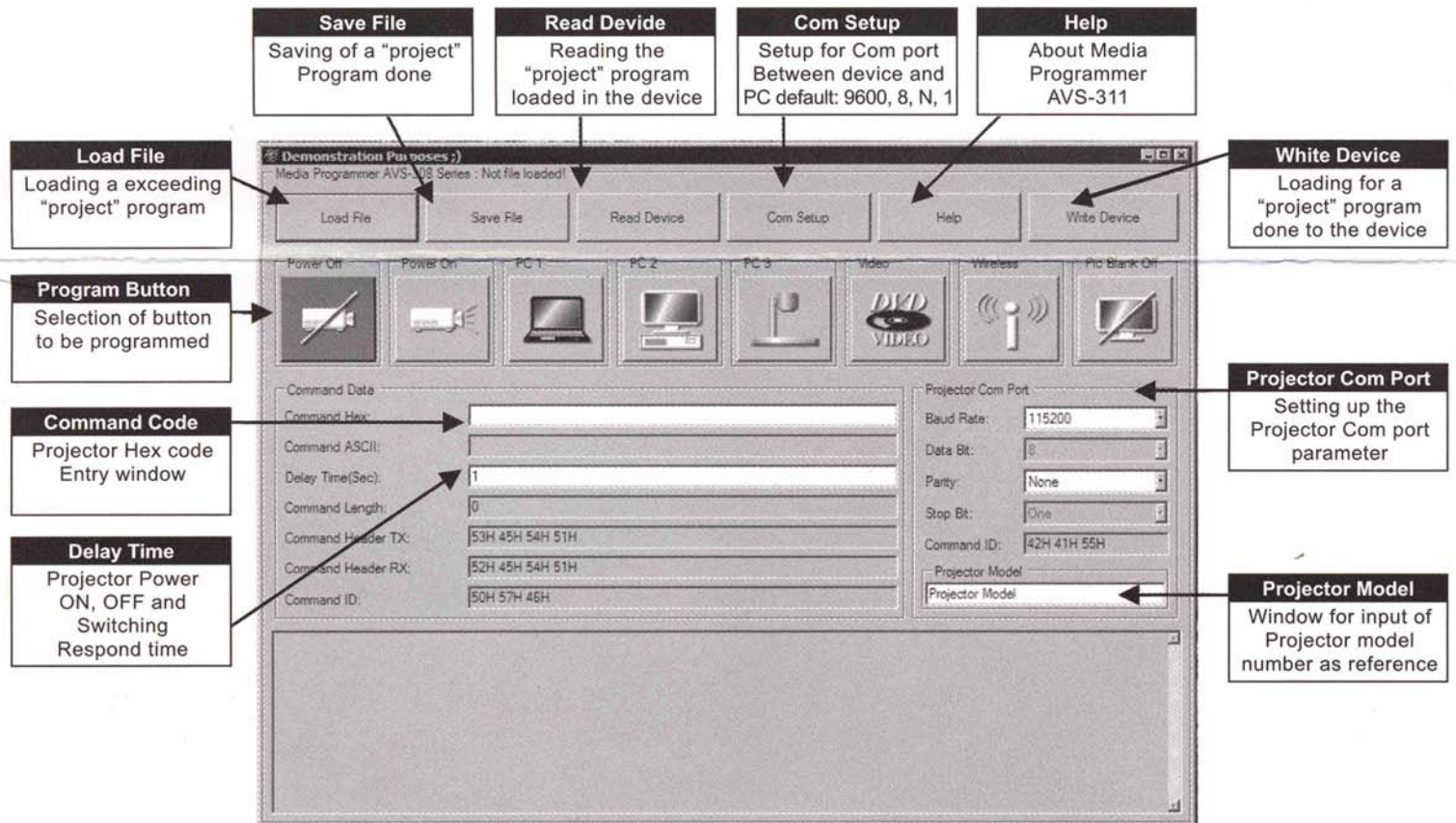
1 x USB Type A and 1 x USB Type B



## INTERNAL PCB LAYOUT AND INTER CONNECTION



## PROGRAMMING SOFTWARE



\*\* For detail and updated Command and program software, please visit and download from [www.abtussingapore.com](http://www.abtussingapore.com)

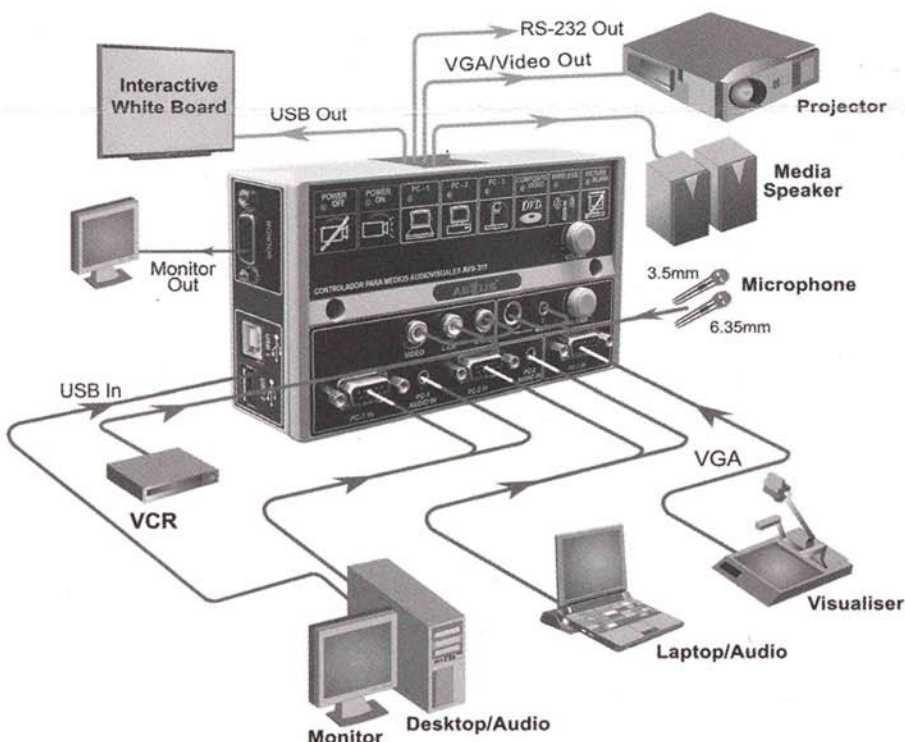
\* Specifications are subject to changes without notice.

## SPECIFICATIONS

<b>INPUT:</b>	3 x PC input (*D-Sub 15pin) 2 x PC-Audio (*3.5mm) 1 x C-Video (*RCA) 1 x Stereo Audio (*RCA) 1 x USB (Type A by the Side) 1 x USB (Type B by the Side) 1 x Microphone (*3.5mm) 1 x Microphone (*6.3mm)	
<b>OUTPUT:</b>	1 x VGA to Projector (*Standard 2.54mm Connector) 1 x VGA to Monitor (*D-Sub 15pin by the Side) 1 x C-Video (*Standard 2.54mm connector) 1 x Main Stereo Audio (*Standard 2.54mm Connector) 2 x USB (*Standard 2.54mm Connector) 1 x Tx (*Standard 2.54mm Connector)	
<b>VGA BANDWIDTH:</b>	3-in 2-out VGA Distribution Amplifier (900MHz R+G+B)	
<b>MAX RESOLUTION:</b>	1280 x 1024	
<b>ALL CABLE LENGTH:</b>	Up to 28 meter	
<b>CONFIGURABLE COM PORT:</b>	1 x RS-232 (8 Data Bit and 1 Stop Bit)	
<b>BAUD RATE:</b>	1200 to 115200	
<b>PARITY BIT:</b>	Non, Even or Odd	
<b>DELAY TIME:</b>	Projector "ON/OFF" delay time (*in sec) 1 to 99	
<b>CONTROL BUTTON:</b>	Number of user defined "Control Button" x 8 Available protocol for each "Control Button" x 1	
<b>LED:</b>	With LED & Buzzer for confirmation	
<b>VIDEO SELECTION:</b>	All Video/VGA Input Switching	Digital
<b>AUDIO SELECTION:</b>	Audio Input Switching	Digital
<b>VOLUME:</b>	Main Volume Control	Analog
<b>MIC GAIN:</b>	Microphone Input Gain Control	Analog
<b>POWER ADAPTOR:</b>	12V-DC, 500mA	
<b>HOUSING:</b>	ABS	
<b>DIMENSIONS   WEIGHT:</b>	(149 x 88 x 48)mm   Weight:350g	
<b>ACCESSORIES:</b>	AC-DC Power Adaptor 12V-DC, 500mA	

\*\* For detail and updated RS-232 Command protocol for programming,

\* Specifications are subject to changes without notice.



### Typical Applications

Any professional presentation system requiring multiple AV Inputs of all different type of Video standard and a standard projector controller.

- Schools (Media Classroom)
- Churches
- Corporate Applications (Meeting Room)

**ABTUS**  
S I N G A P O R E